

\*OPTIONAL\*

.10" TRANSITION  
PCB ASSEMBLY

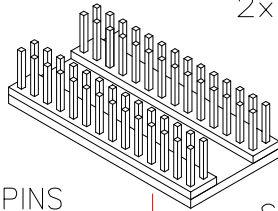
B

0.025" SQ. PINS  
2x14x.10" GRID

49	47	45	43	41	39	37	35	33	31	29	27	NC	NC
50	48	46	44	42	40	38	36	34	32	30	28	26	

PINOUT OF 2 X 14  
CONNECTOR "A"  
ON TRANSITION BOARD

A

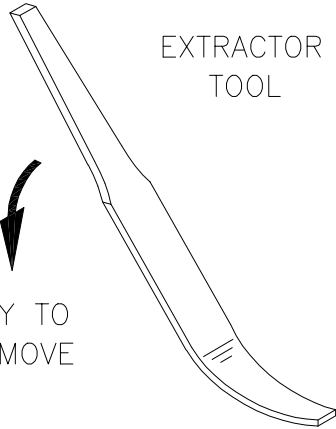


0.025" SQ. PINS  
2x14x.10" GRID

SOCKETS  
4x14x.05" GRID

2	4	6	8	10	12	14	16	18	20	22	24	NC	NC
1	3	5	7	9	11	13	15	17	19	21	23	25	NC

PINOUT OF 2 X 14  
CONNECTOR "B"  
ON TRANSITION BOARD



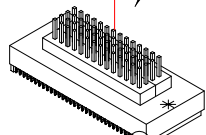
EXTRACTOR  
TOOL

PRY TO  
REMOVE

49	47	45	43	41	39	37	35	33	31	29	27	NC	NC
50	48	46	44	42	40	38	36	34	32	30	28	26	NC
2	4	6	8	10	12	14	16	18	20	22	24	NC	NC
1	3	5	7	9	11	13	15	17	19	21	23	25	NC

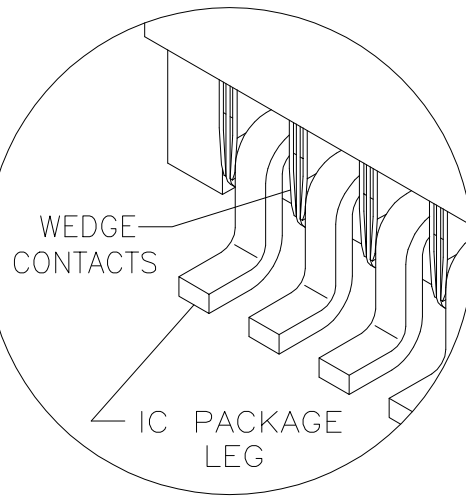
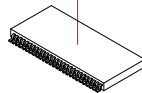
PINOUT OF 4 X 12 CONNECTOR  
TOP VIEW OF DELTA Probe™

0.015" SQ. PINS  
4x12x.05" GRID



DELTA PROBE™

TSOP IC  
PACKAGE



50 TSOP DELTA PROBE

SOFT BRUSH

